

LEVELING DEVICES- Original Series - Socket Style

Steel

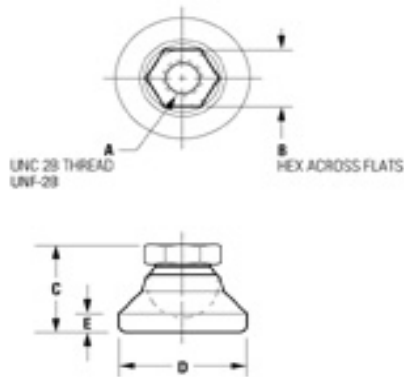
Vlier Original Socket Style Steel Leveling Devices swivel 15° off the centerline to adjust to uneven surfaces and level machine tools, electronic racks, benches, etc. For applications with an existing stud installation. Zinc plate with gold chromate finish is standard.

Stainless Steel

Vlier Original Socket Style Stainless Steel Leveling Devices offer the advantage of an all-stainless steel design for maximum protection against rust and corrosion.

Fine Thread - NEW

Ideal for applications which require a more sensitive leveling adjustment.



Original Socket Style - Steel/Stainless Steel

Part No.	Max load (lbs)	A	B	C	D	E
P298B	700	10-32	3/8	17/32	3/4	7/64
P300B	1,100	1/4-20	1/2	45/64	1	5/32
P304B	3,750	3/6-16	5/8	7/8	1-1/4	3/16
P306B	5,000	1/2-13	3/4	1-1/8	1-7/8	1/4
P308B	6,000	5/8-11	7/8	1-1/4	2-1/2	5/16
P310B	7,200	3/4-10	1-1/16	1-1/2	3	1/2
P312B	22,000	1-8	1-3/8	1-7/8	4	13/32

Original Socket Style - Steel/Stainless Steel

Part No.	Max load (lbs)	A	B	C	D	E
Stainless Steel						
SSP298B	700	10-32	3/8	17/32	3/4	7/64
SSP300B	1,100	1/4-20	1/2	45/64	1	5/32
SSP304B	3,750	3/6-16	5/8	7/8	1-1/4	3/16
SSP306B	5,000	1/2-13	3/4	1-1/8	1-7/8	1/4
SSP308B	6,000	5/8-11	7/8	1-1/4	2-1/2	5/16
SSP310B	7,200	3/4-10	1-1/16	1-1/2	3	1/2
SSP312B	22,000	1-8	1-3/8	1-7/8	4	13/32

Original Socket Style - Steel Base & Socket (Fine Thread)

Part No.	Max load (lbs)	A	B	C	D	E
FP304B	3,750	3/8-24	5/8	7/8	1-1/4	3/16
FP306B	5,000	1/2-20	3/4	1-1/8	1-7/8	1/4
FP308B	6,000	5/8-18	7/8	1-1/4	2-1/2	5/16
FP310B	7,200	3/4-16	1-1/16	1-1/2	3	1/2
FP312B	22,000	1-12	1-3/8	1-7/8	4	13/32

LEVELING DEVICES- Original Series - Socket Style - Metric

Metric Socket Styles

Steel Base

(also available Stainless Steel)

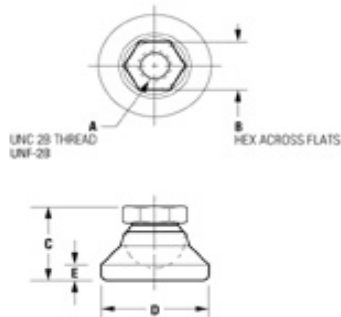
Vlier Original Socket Style Steel Leveling Devices swivel 15° off the centerline to adjust to uneven surfaces and level machine tools, electronic racks, benches, etc. For applications with an existing stud installation. Zinc plate with gold chromate finish is standard.

Steel with Elastomer Pad

Vlier Original Socket Style Steel Levelers with Elastomer Pads provide a .125 inch (neoprene) elastomer bonded to the pad bottom for non-skid support.

Delrin® Base with Steel Socket

Vlier Original Socket Style Delrin Base steel socket leveling devices feature steel sockets and Delrin plastic bases that provide protection for floor and surface finishes. Delrin offers high resistance to repeated impacts, moisture, solvents and heat up to 190°F.



Original Socket Style - Metric Steel Base, Steel Stud						
Part No.	Max load (lbs)	A	B mm	C mm	D mm	E mm
PM10B	1750kg (3750lbs)	M10	17	22	32	5
PM12B	2273kg (5000lbs)	M12	19	29	48	6
PM16B	2727kg (6000lbs)	M16	24	32	64	8
PM20B	3273kg (7200lbs)	M20	30	38	76	13
PM24B	9979kg (22,000lbs)	M24	35	48	102	10

Original Socket Style - Metric Steel Base, with Elastomer Pad, Steel Stud

Part No.	Max load (lbs)	A	B mm	C mm (in.)	D mm (in.)	E mm (in.)
EPM10B	1273kg (2800lbs)	M10	17	22 (0.87)	32 (1.26)	5 (0.2)
EPM12B	1705kg (3750lbs)	M12	19	29 (1.14)	48 (1.89)	6 (0.24)
EPM16B	2046kg (4500lbs)	M16	24	32 (1.26)	64 (2.52)	8 (0.31)
EPM20B	2455kg (5400lbs)	M20	30	38 (1.5)	76 (3)	13 (0.51)

Original Socket Style - Metric Delrin Base, Steel Stud

Part No.	Max load (lbs)	A	B mm	C mm (in.)	D mm (in.)	E mm (in.)
NPM10B	136kg (300lbs)	M10	17	22 (0.87)	32 (1.26)	5 (0.2)
NPM12B	318kg (700lbs)	M12	19	29 (1.14)	48 (1.89)	6 (0.24)
NPM16B	546kg (1200lbs)	M16	24	32 (1.26)	64 (2.52)	8 (0.31)
NPM20B	818kg (1800lbs)	M20	30	38 (1.5)	76 (3)	13 (0.51)

Original Socket Style - Metric Stainless Steel Base, Stainless Steel Stud

Part No.	Max load (lbs)	A	B mm	C mm (in.)	D mm (in.)	E mm (in.)
SSPM12B	2273kg (5000lbs)	M12	19	29 (1.13)	48 (1.88)	6 (0.25)
SSPM16B	2727kg (6000lbs)	M16	24	32 (1.25)	64 (2.5)	8 (0.31)
SSPM20B	3273kg (7200lbs)	M20	30	38 (1.5)	76 (3)	13 (0.5)
SSPM24B	9979kg (22,000lbs)	M24	35	48 (1.88)	102 (4)	10 (0.41)